

THIS DRAWING IS UNPUBLISHED.

RELEASED FOR PUBLICATION

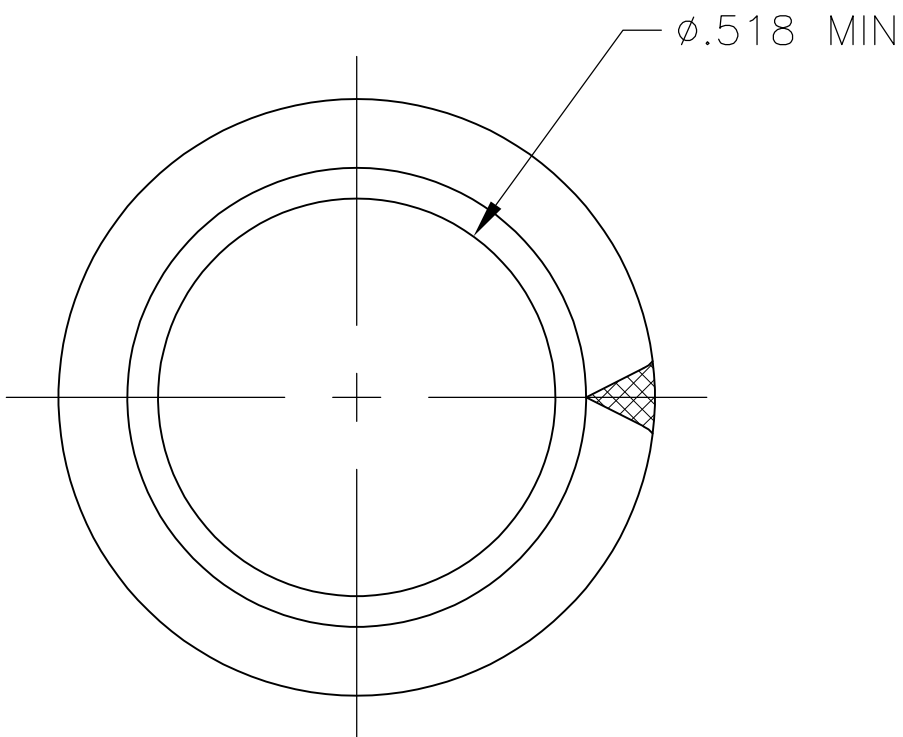
---

© COPYRIGHT BY TYCO ELECTRONICS CORPORATION.

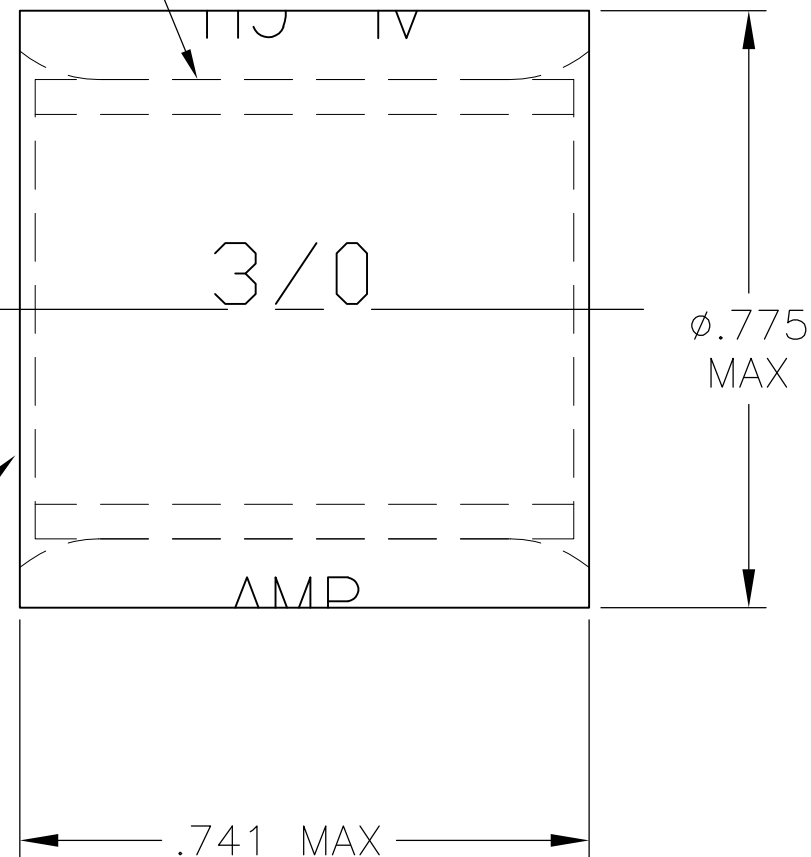
ALL INTERNATIONAL RIGHTS RESERVED.

LOC	DIST	REVISIONS					
		P	LTR	DESCRIPTION	DATE	DWN	APVD
---	---		D	REV PER ECO-09-028160	29DEC09	PY	JW

INSERT  
 MAT'L: BRASS PER ASTM-B-19  
 FINISH: TIN PLATED .00030 MIN THK  
 PER ASTM-B-545 OR 539



BODY  
 MAT'L: COPPER PER ASTM-B-152  
 FINISH: TIN PLATED  
 PER ASTM-B-545 OR 539



52751  
 PART NUMBER

THIS DRAWING IS A CONTROLLED DOCUMENT.		DWN C.C.THOMAS 9-2-09	Tyco Electronics Corporation Harrisburg, PA 17105-3608												
DIMENSIONS: INCHES		CHK J.WEAVER 9-2-09	NAME SPLICE, PARALLEL, COPALUM, STRANDED/SOLID, WIRE SIZE 3/0												
TOLERANCES UNLESS OTHERWISE SPECIFIED:		APVD J.WEAVER 9-2-09	PRODUCT SPEC												
<table border="0"> <tr><td>0 PLC</td><td>± -</td></tr> <tr><td>1 PLC</td><td>± -</td></tr> <tr><td>2 PLC</td><td>± -</td></tr> <tr><td>3 PLC</td><td>± -</td></tr> <tr><td>4 PLC</td><td>± -</td></tr> <tr><td>ANGLES</td><td>± -</td></tr> </table>		0 PLC	± -	1 PLC	± -	2 PLC	± -	3 PLC	± -	4 PLC	± -	ANGLES	± -	APPLICATION SPEC	
0 PLC	± -														
1 PLC	± -														
2 PLC	± -														
3 PLC	± -														
4 PLC	± -														
ANGLES	± -														
MATERIAL SEE TABLE	FINISH SEE TABLE	WEIGHT -	SIZE A3	CAGE CODE 00779											
		DRAWING NO C-52751		RESTRICTED TO -											
		CUSTOMER DRAWING		SCALE 2:1											
		SHEET 1 OF 1		REV D											