

Customer Information Sheet

DRAWING No.: M20-877XXX

SHEET 2 OF 2

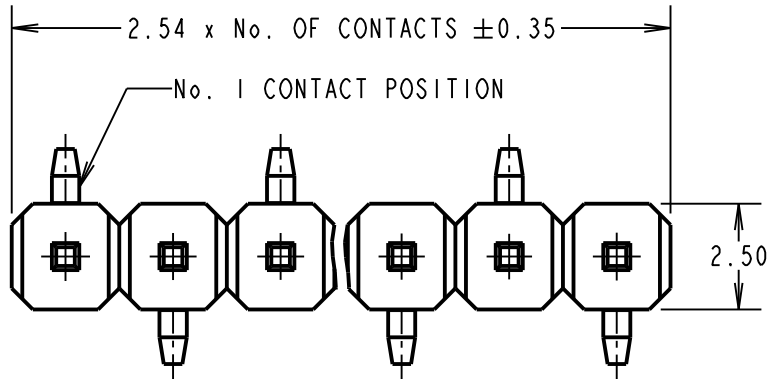
IF IN DOUBT - ASK

©

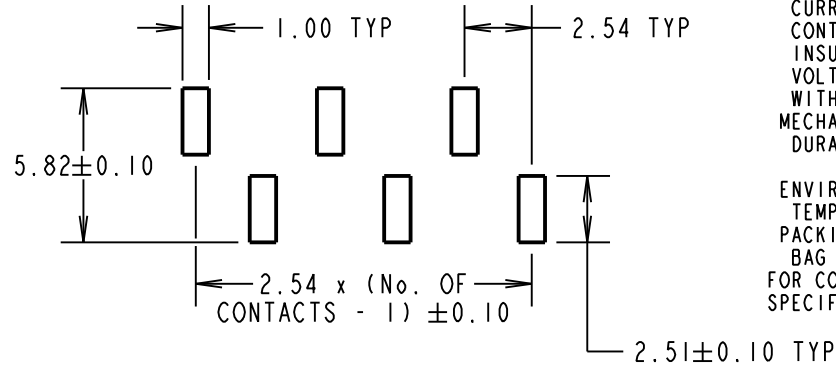
NOT TO SCALE

THIRD ANGLE PROJECTION

ALL DIMENSIONS IN mm



RECOMMENDED PAD LAYOUT
(TOLERANCE = ± 0.05)



SPECIFICATION:

MATERIAL:
 MOULDING = NYLON 6T UL94V-0, BLACK
 CONTACT = BRASS

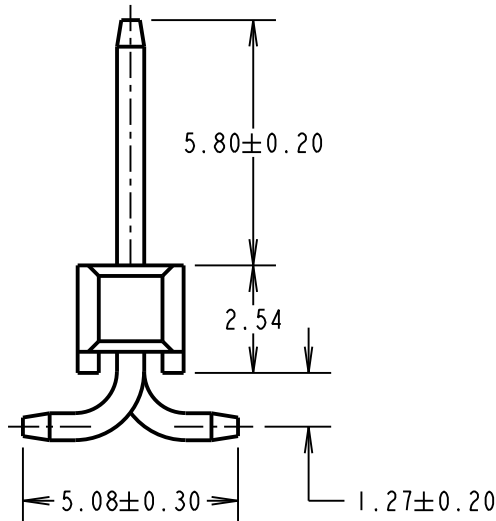
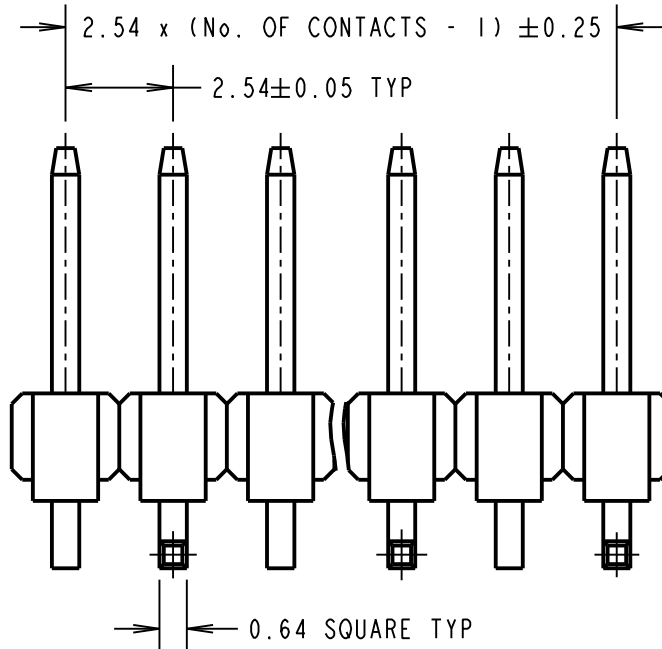
FINISH:
 42 = SELECTIVE GOLD ON CONTACT AREA,
 100% TIN ON TAILS
 46 = 100% TIN

ELECTRICAL:
 CURRENT RATING = 3A MAX
 CONTACT RESISTANCE = 20m Ω MAX
 INSULATION RESISTANCE = 1,000M Ω MIN
 VOLTAGE RATING = 250V AC/DC
 WITHSTANDING VOLTAGE = 500V AC FOR ONE MIN

MECHANICAL:
 DURABILITY = 50 OPERATIONS (TIN),
 300 OPERATIONS (GOLD)

ENVIRONMENTAL:
 TEMPERATURE RANGE = -40°C TO +105°C

PACKING:
 BAG
 FOR COMPLETE SPECIFICATION, SEE COMPONENT SPECIFICATION C001XX (LATEST ISSUE)



NOTES:
 1. ALL TOLERANCES ARE ± 0.15 mm UNLESS OTHERWISE STATED.

ORDER CODE:

M20-877XXX

No. OF CONTACTS: _____
 02 TO 36

FINISH:
 42 = SELECTIVE GOLD + 100% TIN
 46 = 100% TIN

SB	18	05.03.15	12764
NAME	ISS.	DATE	C/NOTE
APPROVED: S.BENNETT			
CHECKED: M.PLESTED			
DRAWN: P. D. COLLINS			
CUSTOMER REF.:			
ASSEMBLY DRG:			

HARWIN

www.harwin.com
 technical@harwin.com

THIS DRAWING AND ANY INFORMATION OR DESCRIPTIVE MATTER SET OUT HEREON ARE CONFIDENTIAL AND COPYRIGHT PROPERTY OF THE HARWIN GROUP AND MUST NOT BE DISCLOSED, LOANED, COPIED OR USED FOR MANUFACTURING, TENDERING OR FOR ANY OTHER PURPOSE WITHOUT THEIR WRITTEN PERMISSION.

~~TOLERANCES~~
~~X. = ± 1 mm~~
~~X.X = ± 0.25 mm~~
~~X.XX = ± 0.10 mm~~
~~X.XXX = ± 0.01 mm~~
~~ANGLES = $\pm 5^\circ$~~
 UNLESS STATED

MATERIAL:

SEE ABOVE

FINISH: SEE ABOVE

S/AREA:

mm²

TITLE: 2.54mm PITCH SIL
 SMT PIN HEADER ASSEMBLY
 (LEFT-HANDED LEAD)

DRAWING NUMBER:

M20-877XXX

SHT
 2 OF 2