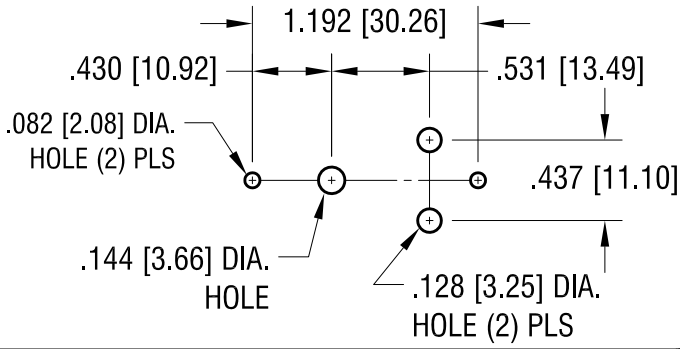
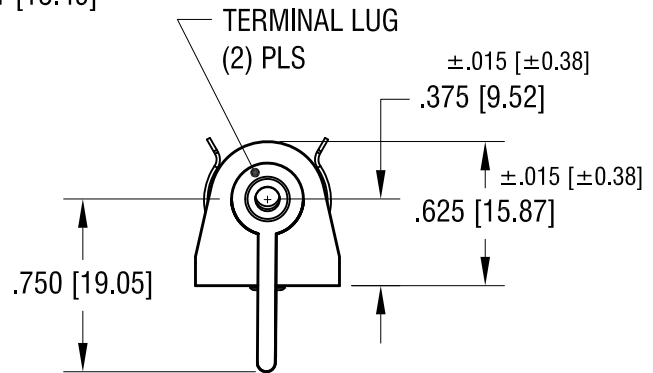
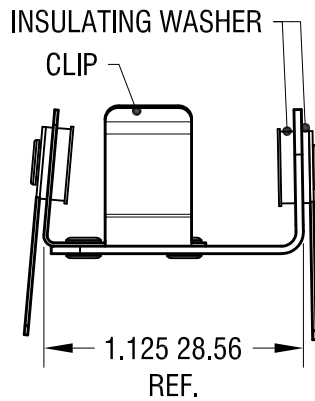
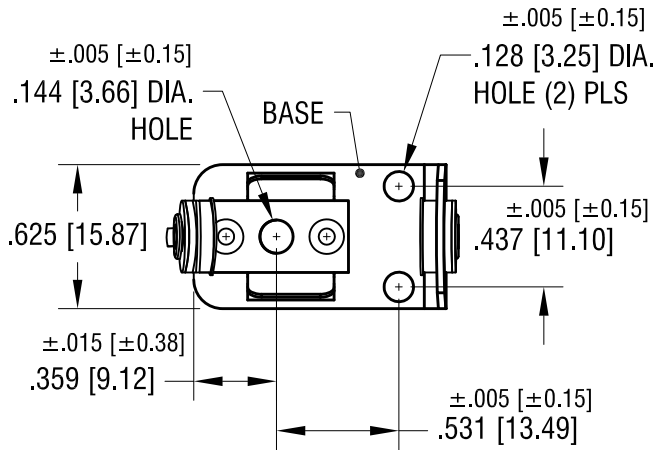
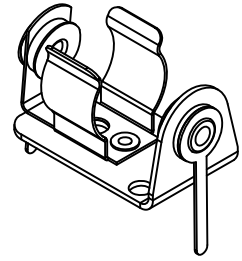


THIS DOCUMENT IS THE PROPERTY OF KEYSTONE ELECTRONICS CORP. AND SHALL NOT BE REPRODUCED, DISTRIBUTED OR USED AS A BASIS FOR MANUFACTURE WITHOUT PRIOR WRITTEN PERMISSION FROM KEYSTONE ELECTRONICS CORP.

MOUNTING DETAIL



ACTUAL SIZE



NOTES:

- 1. BASE: MAT'L - .032 [.81] TH'K STEEL
FINISH - NICKEL PLATE
- CLIP: MAT'L - .015 [.38] TH'K STEEL
FINISH - NICKEL PLATE
- TERMINAL LUG: MAT'L - .020 [.50] TH'K BRASS
FINISH - TIN PLATE

KEYSTONE ELECTRONICS CORP.

www.keyelco.com • ASTORIA, N.Y. 11105-2017 • Tel (718) 956-8900

PART NAME		INSULATED BATTERY HOLDER, PC '1/2 AA'	
MATERIAL			
AS NOTED			
FINISH		DRN BY	DATE
AS NOTED		BOONE	6.4.07
		APP'D	SCALE
		LN	1.2X
TOLERANCES	INCH [MM]	CODE	DWG NO.
DECIMAL	±.010 [±0.25]	C	2103
ANGULAR	± 1°		
UNLESS OTHERWISE SPECIFIED			

12.10.13	CHANGE AS PER ECN 13-113	A
DATE	DESCRIPTION	REV.